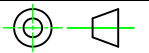


Rev. 00

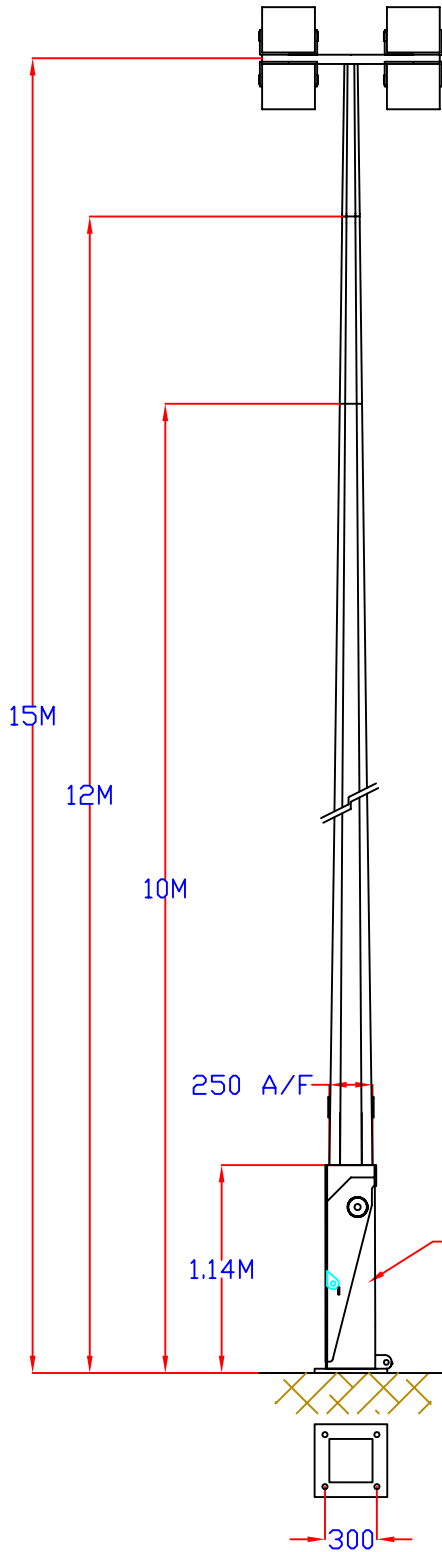


ALL DIMENSIONS IN MILLIMETRES
UNLESS STATED OTHERWISE
IF IN DOUBT ASK

DO NOT SCALE

DRG. No. DWG.SDBH

COLUMN CODE	10SDBH	12LDBH	15SDBH
COLUMN HEIGHT: (M)	10	12	15
MAX. FLOODLIGHT WIND AREA Sq.m	2.2	1.2	0.8
MAX. FLOODLIGHT SUPPORTED WEIGHT (Kg)	150	150	150
ANCHOR BOLT DIAMETER (mm)	30	30	30
ANCHOR BOLT QUANTITY	4	4	4
GEAR COMPARTMENT (mm)	115x180x600	115x180x600	115x180x600
ESTIMATED FOUNDATION SIZE (M)	2.0SQX0.97H	2.0SQX0.97H	2.0SQX0.97H



NOTES

1. COLUMNS ARE DESIGNED IN ACCORDANCE WITH ILE TR7.
2. COLUMNS ARE HOT DIP GALVANIZED AFTER FABRICATION IN ACCORDANCE WITH BS EN ISO 1461. SUBSEQUENT PAINTING IS AVAILABLE IN ACCORDANCE WITH CLIENT SPECIFICATION.
3. EACH RAISING & LOWERING HYDRAULIC SYSTEM IS PROVIDED WITH AN ADDED SAFETY FEATURE OF 'OVERCENTRE' VALVES TO PREVENT UNCONTROLLED DESCENT IN THE EVENT OF POWER FAILURE/CUT HOSES, ETC.
4. DOORS MAY BE SUPPLIED WITH PADLOCK FACILITIES ON REQUEST.
5. COLUMNS ARE SUPPLIED WITH ANTI-VANDAL HINGES.
6. CROSSARMS ARE AVAILABLE WITH 'ROTATIONAL' FLOODLIGHT MOUNTINGS.
7. ANCHOR SYSTEMS ARE SUPPLIED WITH TEMPORARY BOLT-SETTING TEMPLATES.
8. FOUNDATION SIZE(S) ARE BASED UPON SAFE GROUND BEARING PRESSURE ...OF 1 BAR (1kg/cm²). THEY ARE FOR GUIDANCE AND ESTIMATION OF MATERIALS/SERVICES USAGE ONLY. CORRECT FOUNDATION DESIGNS, ACCOUNTING FOR LOCAL GROUND CONDITIONS, MUST BE COMMISSIONED BY THE CLIENT FROM A QUALIFIED AND EXPERIENCED CIVIL ENGINEER.

DESIGN NOTE ** COLUMNS ARE DESIGNED IN ACCORDANCE WITH ILE TR7, THE NOMINAL MAX WEIGHT & WIND AREA OF THE FLOODLIGHT HAS BEEN CALCULATED USING A WIND SPEED AND ALTITUDE APPLICABLE FOR 90% OF THE UK. WHEN THE COLUMN IS TO BE INSTALLED IN AN EXPOSED SITE SUCH AS A COASTAL LOCATION, OR A SITE SUBJECT TO LOCAL FUNNELING, OR A SITE 250M ABOVE SEA LEVEL ADVICE SHOULD BE SOUGHT FROM SMC.

NOTES:

(a) X

X	X		X		/ /01
REV.	DESCRIPTION	BY	CHK'	DATE	
MATERIAL: S355		FINISH: HDG-ENISO 1461		WEIGHT:	
TITLE: TWEED RANGE 10-15m (2/3 SECTION) OCTAGONAL BASE HINGE POLE					SCALE: X Sht. X of X
DRAWN: BS308. TOL: BS5649		NAME	DATE	STAINTON	
COPYRIGHT THIS DRAWING IS THE PROPERTY OF STAINTON METAL COMPANY LIMITED & MUST NOT BE USED OR REPRODUCED WITHOUT STAINTON'S WRITTEN CONSENT		DRAWN	MJB	15/11/04	TS17 9LT TEL No.: 01642 766242 FAX No.: 01642 765509
COPYRIGHT © DESIGN RIGHT © 1991		CHK'D/ APP'D		/ /01	Rev. No. DWG.SDBH 00