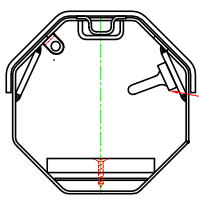
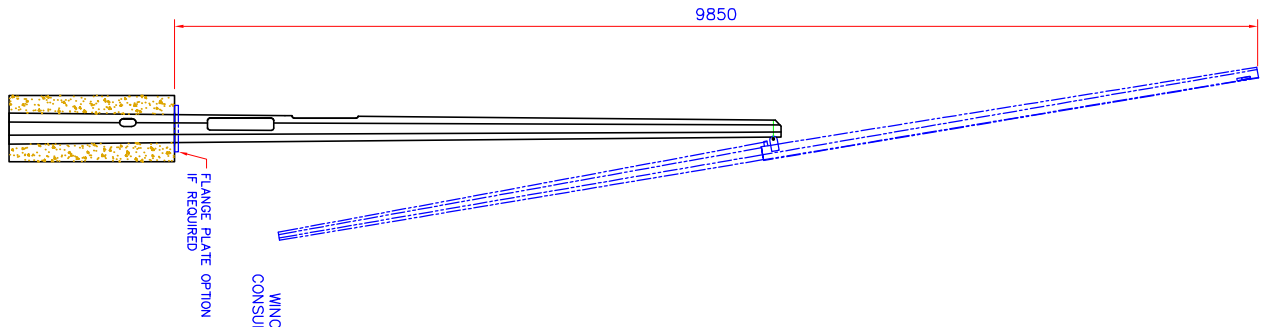
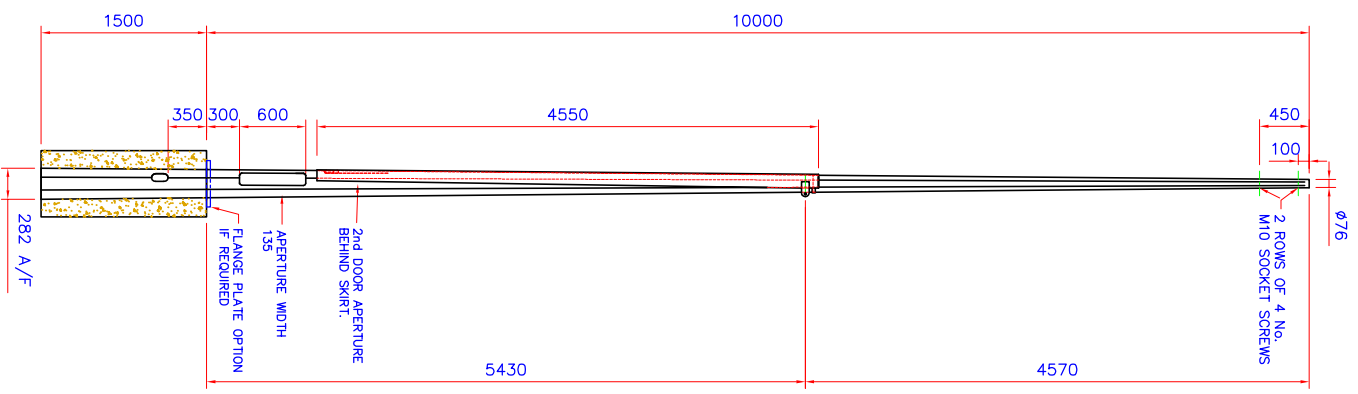
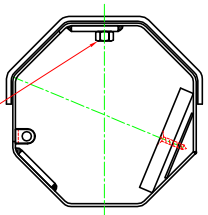


DO NOT SCALE

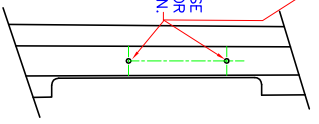
ALL DIMENSIONS IN MILLIMETRES
UNLESS STATED OTHERWISE
IF IN DOUBT ASK



UPPER DOOR APERTURE
CROSS-SECTION DETAIL

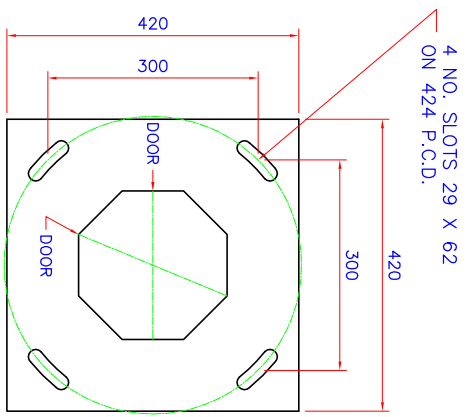


LOWER DOOR APERTURE
CROSS-SECTION DETAIL



WINCH ATTACHING POINT PLEASE
CONSULT WRITTEN PROCEDURE FOR
MORE INFORMATION

INTERNAL M10 EYE WITH CHAIN FITTED. CHAIN MUST BE
RE-ATTACHED AT THE END OF THE RAISING/LOWERING
PROCEDURE.



- NOTES:-
1. RAISING & LOWERING OPERATION MUST NOT BE PERFORMED WITHOUT READING THE RAISING & LOWERING PROCEDURE.
 2. COUNTER BALANCE SECTION "SKIRT" IS ATTACHED TO THE INSIDE OF THE UPPER BASE COMPARTMENT VIA A CHAIN. THE CHAIN MUST BE RE-ATTACHED AT THE END OF THE RAISING OPERATION - SEE RAISING & LOWERING PROCEDURE FOR DETAILS.
 3. WHITE LINE REQUIRED TO INDICATE GROUND LEVEL.
 4. FINISH: GALV TO BS EN 1461 + ADDITIONAL FINISH TO ORDER.
- PART CODE: 111002SMHH1000 - PLANTED
PART CODE: 111002SMHH2000 - FLANGE PLATED

00	ISSUED FOR INFORMATION/APPROVAL	HM	--	09/3/06
REV.	DESCRIPTION	BY	CHK	DATE
MATERIAL:	S275JR	FINISH:	AS ABOVE	WEIGHT: --
TITLE: 10M OCT MID-HINGED HEAVY DUTY - UK MADE COLUMN				
DRAWN:	BS308, TOL: BS5649	NAME:	HM	DATE:
DRAWN		DATE	STAINTON	
DRAWN		DATE	metal company limited	
DRAWN		DATE	TS17 9LT	
DRAWN		DATE	TEL No.:	
DRAWN		DATE	01642 766242	
DRAWN		DATE	FAX No.:	
DRAWN		DATE	01642 765509	
DRAWN		DATE	Rev.:	
DRAWN		DATE	00	

NOTE: A MINIMUM HEAD WEIGHT OF 10kg. IS REQUIRED
TO ALLOW THE HINGING OPERATION TO COMMENCE.