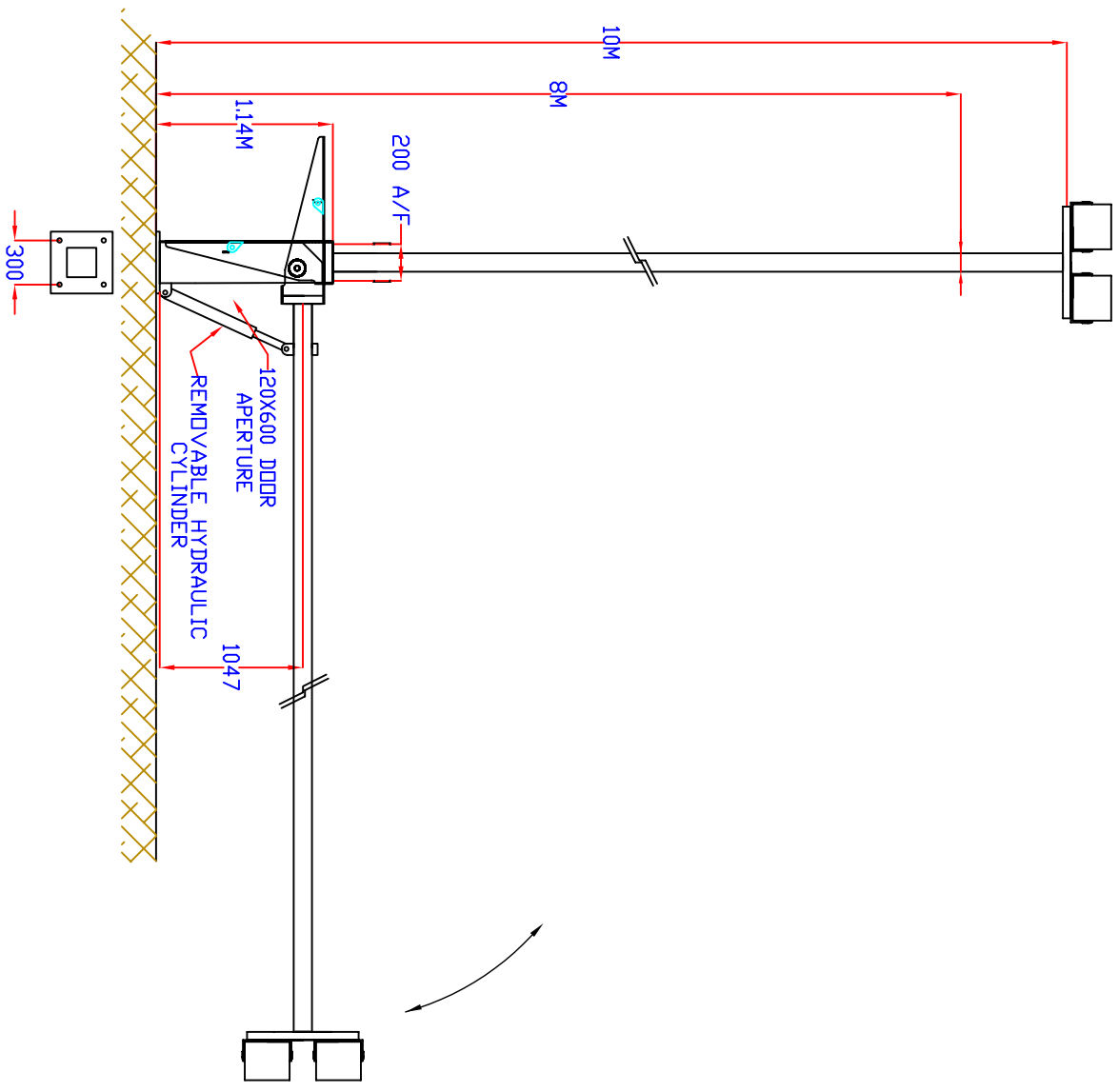


ALL DIMENSIONS IN MILLIMETRES
UNLESS STATED OTHERWISE
DO NOT SCALE
IF IN DOUBT ASK



COLUMN CODE	BLDTBH	10LDTBH
COLUMN HEIGHT: (M)	8	10
MAX FLOODLIGHT WIND AREA Sq.m	1.2	0.6
MAX FLOODLIGHT SUPPORTED WEIGHT (Kg)	80	80
ANCHOR BOLT DIAMETER (mm)	24	24
ANCHOR BOLT QUANTITY	4	4
GEAR COMPARTMENT (mm)	115x135x600	115x135x600
ESTIMATED FOUNDATION SIZE (M)	1.45GRX0.97H	1.45GRX0.97H

NOTES

- COLUMNS ARE DESIGNED IN ACCORDANCE WITH ILE TR7.
 - COLUMNS ARE HOT DIP GALVANIZED AFTER FABRICATION IN ACCORDANCE WITH BS EN ISO 1461. SUBSEQUENT PAINTING IS AVAILABLE IN ACCORDANCE WITH CLIENT SPECIFICATION.
 - EACH RAISING & LOWERING HYDRAULIC SYSTEM IS PROVIDED WITH AN ADDED SAFETY FEATURE OF OVERCENTRE VALVES TO PREVENT UNCONTROLLED DESCENT IN THE EVENT OF POWER FAILURE/CUT HOSES, ETC.
 - DOORS MAY BE SUPPLIED WITH PADLOCK FACILITIES ON REQUEST.
 - COLUMNS ARE SUPPLIED WITH ANTI-VANDAL HINGES.
 - CROSSARMS ARE AVAILABLE WITH ROTATIONAL FLOODLIGHT MOUNTINGS.
 - ANCHOR SYSTEMS ARE SUPPLIED WITH TEMPORARY BOLT-SETTING TEMPLATES.
 - FOUNDATION SIZE(S) ARE BASED UPON SAFE GROUND BEARING PRESSURE OF 1 BAR (1kg/cm²). THEY ARE FOR GUIDANCE AND ESTIMATION OF MATERIALS/SERVICES USAGE ONLY. CORRECT FOUNDATION DESIGNS, ACCOUNTING FOR LOCAL GROUND CONDITIONS, MUST BE COMMISSIONED BY THE CLIENT FROM A QUALIFIED AND EXPERIENCED CIVIL ENGINEER.
- DESIGN NOTE ** COLUMNS ARE DESIGNED IN ACCORDANCE WITH ILE TR7, THE NOMINAL MAX WEIGHT & WIND AREA OF THE FLOODLIGHT HAS BEEN CALCULATED USING A WIND SPEED AND ALTITUDE APPLICABLE FOR 90% OF THE UK. WHEN THE COLUMN IS TO BE INSTALLED IN AN EXPOSED SITE SUCH AS A COASTAL LOCATION, OR A SITE SUBJECT TO LOCAL FUNNELING, OR A SITE 250M ABOVE SEA LEVEL ADVICE SHOULD BE SOUGHT FROM SMC.

NOTES:

(a) X

REV.	X		X	/	/01
DESCRIPTION					
MATERIAL:	S355	FINISH:	HDG-ENISO 1461	BY	CHK
DATE		WEIGHT:		DATE	

TITILE: TWEED RANGE 10m (1SECTION)
TUBULAR BASE HINGE POLE

DRAWN:	BS308	TOL:	BS5649	NAME:	MJB	DATE:	15/1/04	DRG. No.:	DWG.LDTBH	Rev.:	00
COPYRIGHT	THIS DRAWING IS THE PROPERTY OF STANTON METAL FABRICATIONS AND MUST NOT BE USED OR REPRODUCED WITHOUT STANTON'S WRITTEN CONSENT										
CHK'D/APP'D											
STANTON	metal company limited										
1317 9LT	01642 765509										
01642 765509											