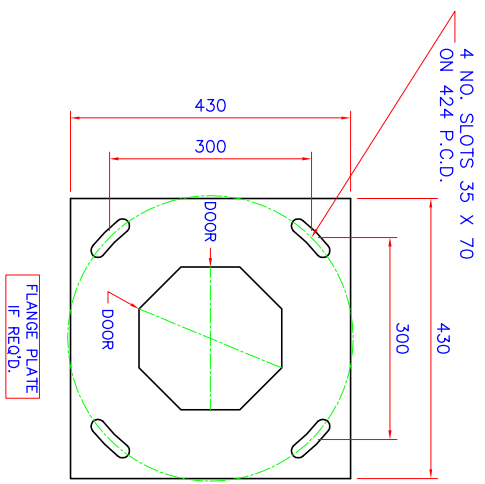
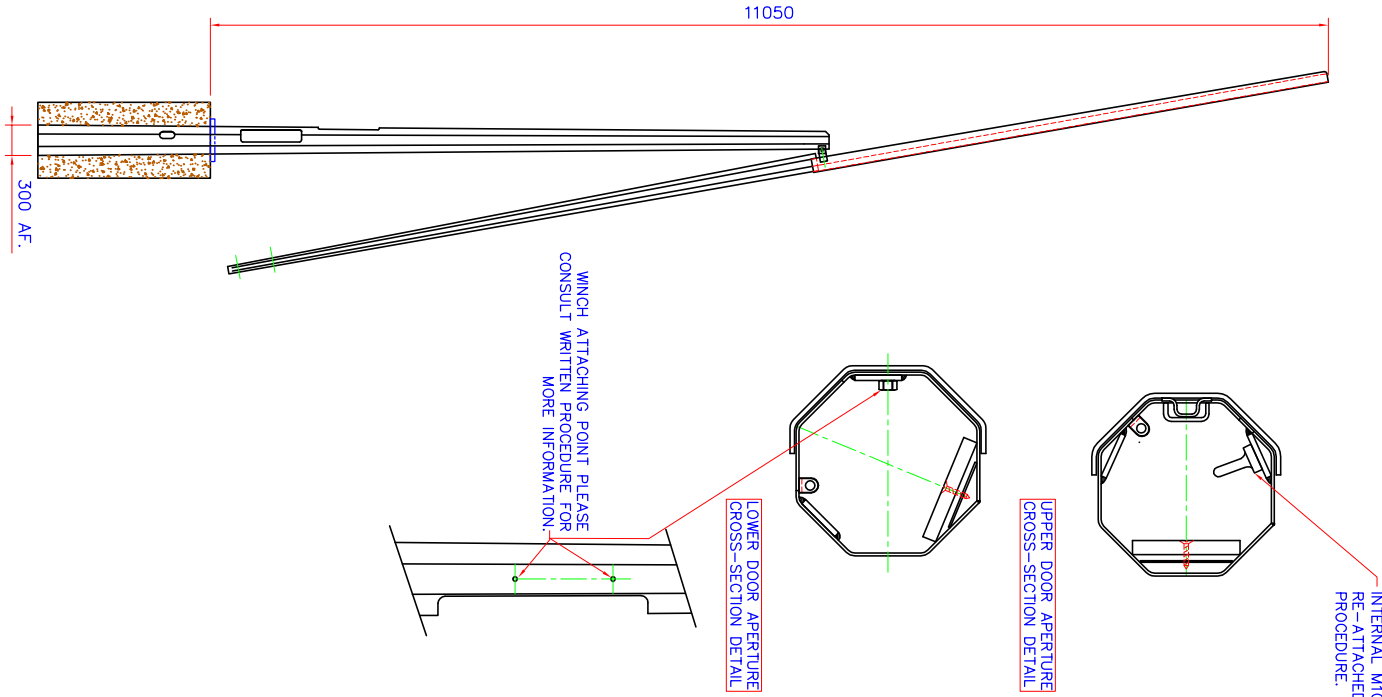
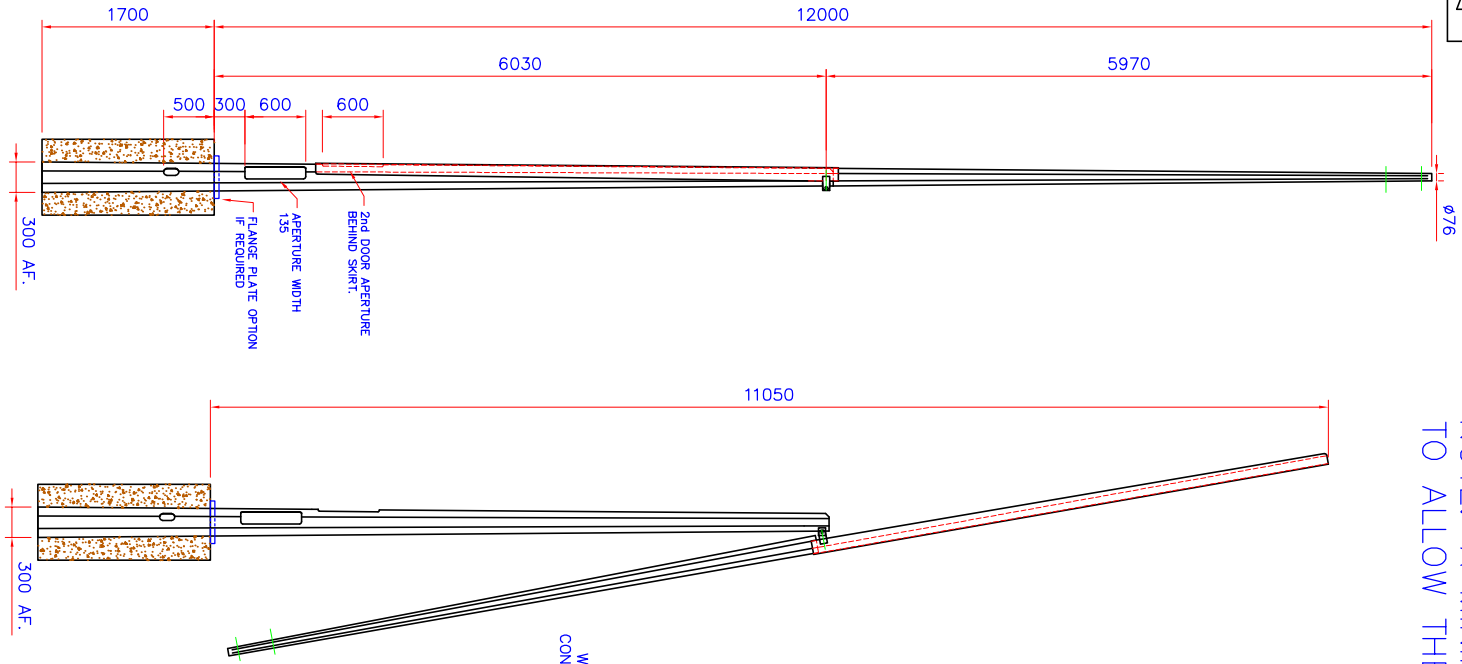


NOTE: A MINIMUM HEAD WEIGHT OF 10kg. IS REQUIRED TO ALLOW THE HINGING OPERATION TO COMMENCE.

DO NOT SCALE

ALL DIMENSIONS IN MILLIMETRES UNLESS STATED OTHERWISE IF IN DOUBT ASK



- NOTES: -
1. RAISING & LOWERING OPERATION MUST NOT BE PERFORMED WITHOUT READING THE RAISING & LOWERING PROCEDURE.
 2. COUNTER BALANCE SECTION "SKIRT" IS ATTACHED TO THE INSIDE OF THE UPPER BASE COMPARTMENT VIA. A CHAIN. THE CHAIN MUST BE RE-ATTACHED AT THE END OF THE RAISING OPERATION - SEE RAISING & LOWERING PROCEDURE FOR DETAILS.
 3. WHITE LINE REQUIRED TO INDICATE GROUND LEVEL.
 4. FINISH: GALV TO BS EN 1461 + ADDITIONAL FINISH TO ORDER.

PART CODE: 11202SMHH1000 - PLANTED
 PART CODE: 11202SMHH2000 - FLANGE PLATED

02	DIMENSION TO HINGE PIN CENTRE CORRECTED	HM	--	12/12/07
01	FLANGE PLATE OPTION ADDED	HM	--	09/3/06
00	ISSUED FOR INFORMATION/APPROVAL	HM	--	04/10/05
REV.	DESCRIPTION	BY	CHK	DATE
MATERIAL: S275JR		FINISH: AS ABOVE		
WEIGHT: 360 Kg.		SCALE: NTS		

TITLE: 12M M/HT OCT MID-HINGED UK MADE COLUMN
 HEAVY DUTY FULL HEIGHT COLUMN

DRAWN: BS308, TOL: BS6649	NAME	DATE	STAINTON	TS17 9LT
COPYRIGHT	DRAWN	04/10/05	metal company limited	TEL No.: 01642 766242
THIS DRAWING IS THE PROPERTY OF STANTON METAL COMPANY LIMITED & MUST NOT BE USED OR REPRODUCED WITHOUT STANTON'S WRITTEN CONSENT		CHK'D/APP'D		FAX No.: 01642 765509
COPYRIGHT © Design Right 1991	APP'D			Rev. No. CC4217