



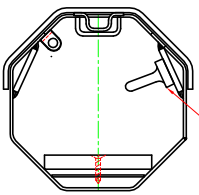
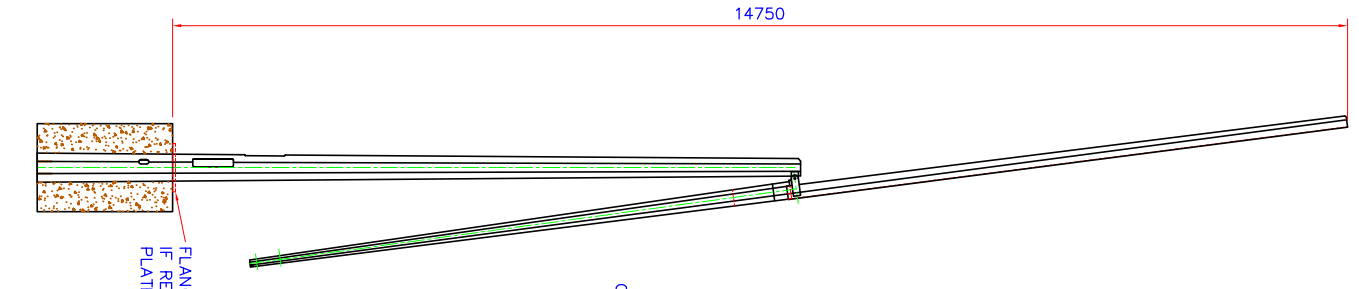
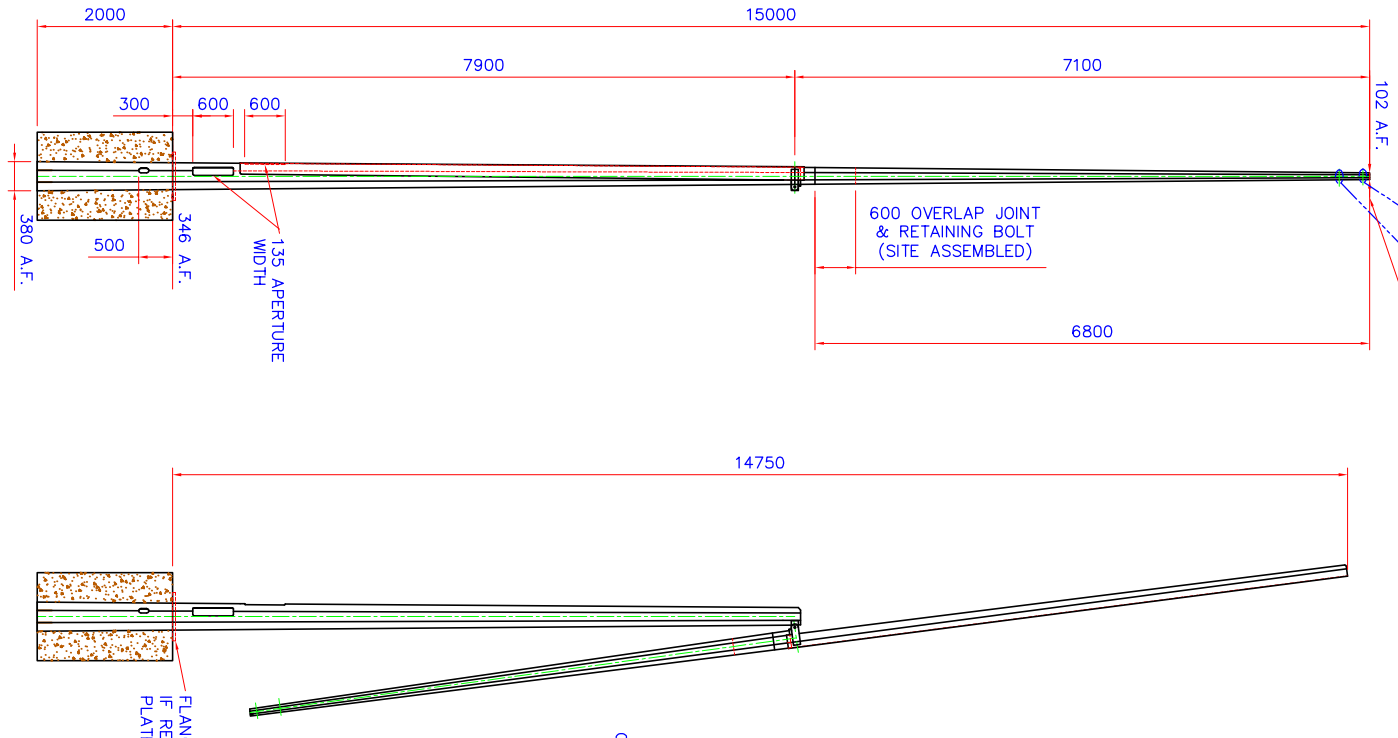
2 ROWS OF 4 No. M12 NUTS FULLY WELDED OVER M13 AFTER GALV.

**Ø168.3 IS REQUIRED FOR DROP OVER STYLE BRACKET**

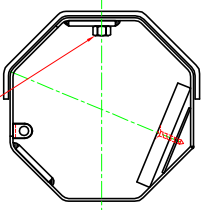
INTERNAL M10 EYE WITH CHAIN FITTED. CHAIN MUST BE RE-ATTACHED AT THE END OF THE RAISING/LOWERING PROCEDURE.

**DO NOT SCALE**

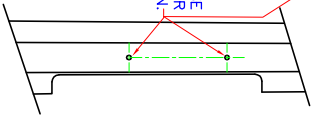
ALL DIMENSIONS IN MILLIMETRES UNLESS STATED OTHERWISE IF IN DOUBT ASK



UPPER DOOR APERTURE CROSS-SECTION DETAIL

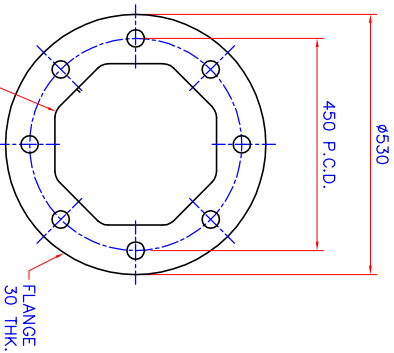


LOWER DOOR APERTURE CROSS-SECTION DETAIL



WINCH ATTACHING POINT PLEASE CONSULT WRITTEN PROCEDURE FOR MORE INFORMATION

FLANGE PLATE OPTION IF REQ'D: SEE FLANGE PLATE DETAIL.



FLANGE PLATE DETAIL IF REQUIRED.

- NOTES:-
1. RAISING & LOWERING OPERATION MUST NOT BE PERFORMED WITHOUT READING THE RAISING & LOWERING PROCEDURE.
  2. COUNTER BALANCE SECTION "SKIRT" IS ATTACHED TO THE INSIDE OF THE UPPER BASE COMPARTMENT VIA A CHAIN. THE CHAIN MUST BE RE-ATTACHED AT THE END OF THE RAISING OPERATION - SEE RAISING & LOWERING PROCEDURE FOR DETAILS.
  3. WHITE LINE REQUIRED TO INDICATE GROUND LEVEL.
  4. FINISH: GALV TO BS EN 1461 + ADDITIONAL FINISH TO ORDER.

PART CODE: 11502SMHH1000

00	ISSUED FOR INFORMATION/ APPROVAL	HM	--	22/2/06
REV.	DESCRIPTION	BY	CHK	DATE
MATERIAL:	S355/275JR	FINISH:	AS ABOVE	WEIGHT: 590 Kg.
TITLE: 15M M/HT OCT MID-HINGED UK MADE COLUMN HEAVY DUTY FULL HEIGHT COLUMN				
DRAWN:	BS308, TOL: BS6649	NAME	DATE	SCALE: NTS
DRAWN: HM		DATE: 22/2/06	Sht. 1 of 1	
COPYRIGHT		STAINTON		
THIS DRAWING IS THE PROPERTY OF STAINTON METAL COMPANY LIMITED & MUST NOT BE USED OR REPRODUCED WITHOUT STAINTON'S WRITTEN CONSENT		metal company limited		
CHK'D/ APP'D		TEL No.: 01642 766242	FAX No.: 01642 765509	
COPYRIGHT © DESIGN RIGHT 1991		PRG. No. CC4348	Rev. 00	